

NOTES: UNLESS OTHERWISE SPECIFIED

1. INSTALLATION INSTRUCTIONS: ITEM 6 COIL SPRING LIFTS ITEM 2 OR 12 RETAINER, ITEM 7 DISC SPRINGS, ITEM 10 WASHER, ITEM 9 DOWEL PIN & ITEM 3 FOOT PEDAL SO THAT THE FITTING ASSEMBLY CAN SLIDE INTO POSITION IN THE SEAT TRACK. ONCE THE FITTING IS IN POSITION, THE INSTALLER DEPRESSES THE FOOT PEDAL, AND LOWERS THE RETAINER ONTO THE SEAT TRACK. ONCE THE RETAINER CONTACTS THE SEAT TRACK, THE DISC SPRING, WHICH HAS A MUCH HIGHER SPRING LOAD THAN THE COIL SPRING, GETS COMPRESSED. ONCE THE FOOT PEDAL REACHES IT'S LOCKING POSITION, ITEM 5 DETENT PLUNGER RELEASES IT'S PLUNGER INTO HOLE ON FOOT PEDAL LOCKS IT IN PLACE. COMPRESSION OF OF WAVE SPRING PROVIDES ANTI-RATTLE FEATURE.

REMOVAL INSTRUCTIONS: DEPRESS FOOT PEDAL SLIGHTLY TO RELIEVE DISC SPRING FORCE. INSERT TOOL INTO HOLE ON END OF FOOT PEDAL AND PUSH PLUNGER FORWARD TO DISENGAGE FROM HOLE ON FOOT PEDAL.

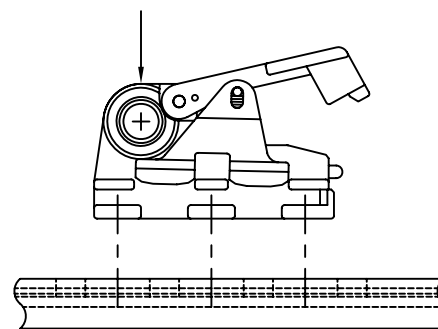
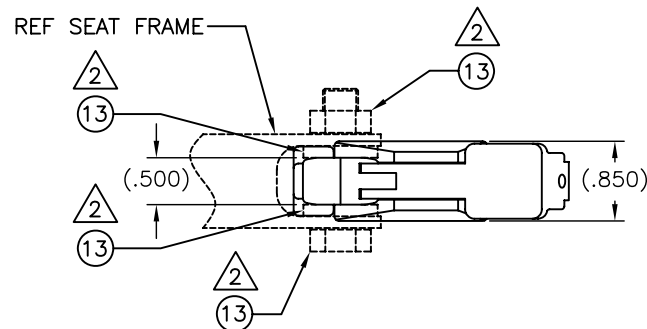
2. OPTIONAL SUGGESTED SEAT FRAME INSTALLATION HARDWARE KIT.

NOTE: PROPER MATING OF THE FITTING TO THE SEAT REQUIRES THE MOUNTING HARDWARE SPECIFIED IN THIS KIT. THIS HARDWARE MAY BE PROCURED FROM ANCRA INTERNATIONAL OR INDEPENDENTLY BY THE USER. IF ANY OTHER HARDWARE IS USED, THEN MOUNTING HARDWARE WILL NOT BE WARRANTED.

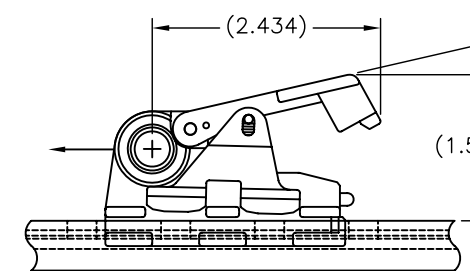
THE INFORMATION AND DESIGN DISCLOSED HEREIN WAS ORIGINATED BY AND IS THE PROPERTY OF ANCRA INTERNATIONAL. ANCRA INTERNATIONAL RESERVES ALL PATENT PROPRIETARY, DESIGN, MANUFACTURING, REPRODUCTION, USE AND SALES RIGHTS THERETO, AND TO ANY ARTICLE DISCLOSED HEREIN, EXCEPT TO THE EXTENT RIGHTS ARE EXPRESSLY GRANTED TO OTHERS IN WRITING. THE FOREGOING DOES NOT APPLY TO VENDOR PROPRIETARY PARTS.

REVISION RECORD (SEE ENGR. ORDERS FOR DESC. OF PREV. REVISIONS)					
REV	DESCRIPTION	BY	CHK	APP	DATE
A	INITIAL RELEASE				

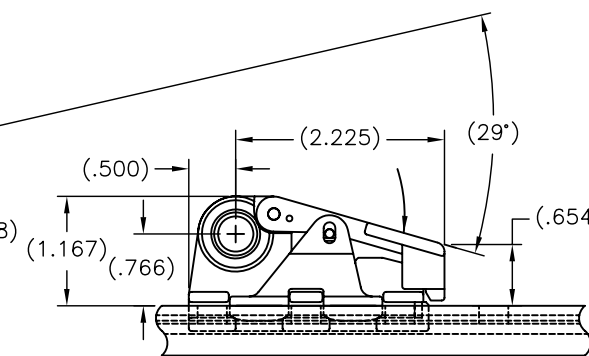
CONFIGURATION VARIATION TABLE	
DASH NO.	DESCRIPTION
-10	STANDARD BODY, STANDARD PLUNGER
-11	STANDARD BODY, REDUCED PLUNGER



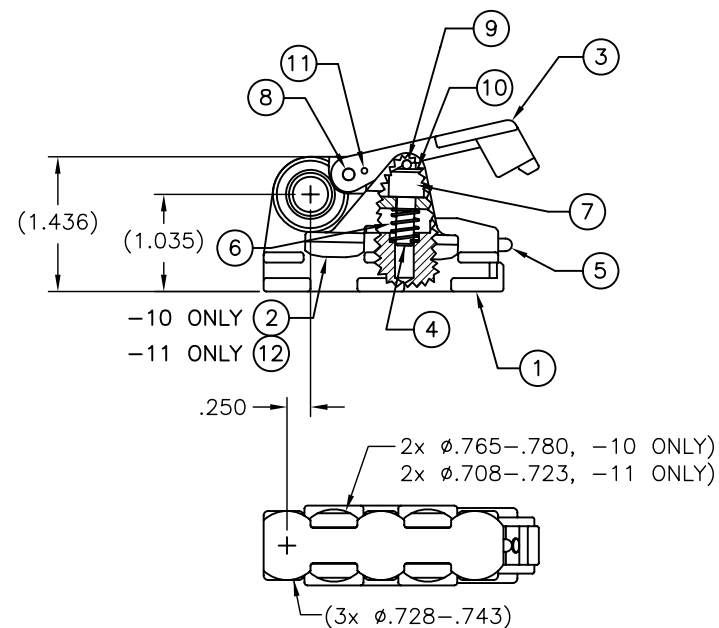
1. LOWERED INTO SEAT TRACK



2. PUSH FORWARD 1/2 INCH



3. LOCKED INTO SEAT TRACK



OPT	OPT	13	49642-XX	REAR INSTALLATION HARDWARE KIT				
1	-	12	49650-11	RETAINER, REDUCED			STAINLESS STEEL	
1	1	11		SLOTTED SPRING PIN	ø.063 x .375		STAINLESS STEEL	
1	1	10		REDUCED OD FLAT WASHER	.195IDx.354ODx.032THK		STAINLESS STEEL	
1	1	9		DOWEL PIN	ø.094 x .625		STAINLESS STEEL	
1	1	8		DOWEL PIN	ø.125 x .375		STAINLESS STEEL	
12	12	7		BELLEVILLE DISC SPRING	.190IDx.375ODx.020THK		STAINLESS STEEL	
1	1	6	43392-10	COMPRESSION SPRING			STAINLESS STEEL	
1	1	5	49645-11	MODIFIED SPRING PLUNGER	5/16-18		STAINLESS STEEL	
1	1	4	49652-10	RETAINER PIN			STAINLESS STEEL	
1	1	3	49651-10	FOOT PEDAL			STAINLESS STEEL	
-	1	2	49650-10	RETAINER, STANDARD			STAINLESS STEEL	
1	1	1	49649-10	BODY			STAINLESS STEEL	
-11	-10	ITEM		PART NO.	NOMENCLATURE	STOCK SIZE	MATERIAL	MATERIAL SPEC/SOURCE

UNLESS OTHERWISE SPECIFIED THIS DWG. CONFORMS WITH ANSI Y14.5 ALL MACH SURFACES TO BE 125/ PER ASA B46.1 AND FREE FROM FLAWS. BREAK ALL SHARP EDGES .015 R MAX. REMOVE ALL BURRS. FILLET RADII .010 MAX. PART MARKINGS TO CONFORM TO ECS-820 DIMENSIONS ARE IN INCHES. DIMENSIONS APPLY AFTER FINISH. TOLERANCES: .X ±.1 .XX ±.03 ANGLES ± 1'0' .XXX ±.010 FRACTIONS ±	DRAWN STEVE LEE 12/13/07	<p>HAWTHORNE, CA 90250</p>
CHECKED		
ENGINEER		
STRESS APPROVED		
FINISH		TITLE REAR ANCRA-LOCK FITTING
HEAT TREAT		
CUSTOMER APPROVAL	SCALE: 1:1	CALC WEIGHT SH10F1 FSCM 31272 SIZE D DWG. NO. 49648 Cat. A

REV DWG. NO. 49648 Cat. SH 1

A