

North America's Largest Designer and Manufacturer of Cargo Decking Systems

Lift-a-Deck

THE DECK SYSTEM SPECIALISTS

TM



1



Evaluation

2



Testing

3



ROI

**Working Together
to Find Creative Solutions
to Today's Transportation
Challenges**

Proven 3 Step Process to Increase Profits for your Fleet

✓ 3 Step Process to Increase **Profits** for your Fleet:

1. Evaluate the best Lift-A-Deck II system for your fleets application.
2. Testing - Ancra will assist in collecting and analyzing data using Six Sigma methodologies. The test data collected will show your fleet specifically how you will benefit from utilizing the Lift-A-Deck II.
3. Training - Ancra will provide a comprehensive training video to assist in properly training your employees loading the trailers equipped with the Lift-A-Deck II. Ancra will also assist in developing a corporate training program specific to your fleet.



Key Training Points

- Helps ensure all employees are trained to use the Lift-A-Deck II system properly
- Better training ensures the fleet owner is gaining maximum loading efficiencies when using Lift-A-Deck II



PROPER LOADING

PROPER EQUIPMENT USAGE



LOAD FREIGHT SAFELY AND SECURELY



Training Program to Safely and Securely Load Freight



- Complete comprehensive Training Video available
- Contact Customer Service to speak to a deck system specialist at Ancra International for additional information on designing a custom training program to meet the needs of your company (800-929-2627)

✓ Reduce Product Damage Claims



✓ Increase Load Average
✓ Maximize Profits



✓ Deck at Multiple Heights



✓ Easy to Operate By a Single Person



✓ Load Freight Safely and Securely



✓ Deck System Stores at the Ceiling



✓ **Strap Pallets from Side to Side in Trailer**



✓ **Strap Cargo to Trailer Sidewall**

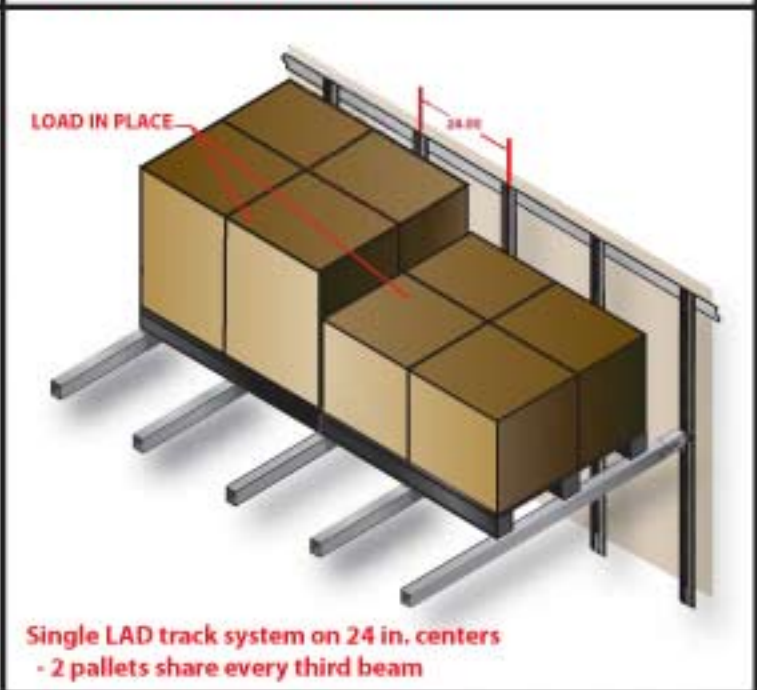
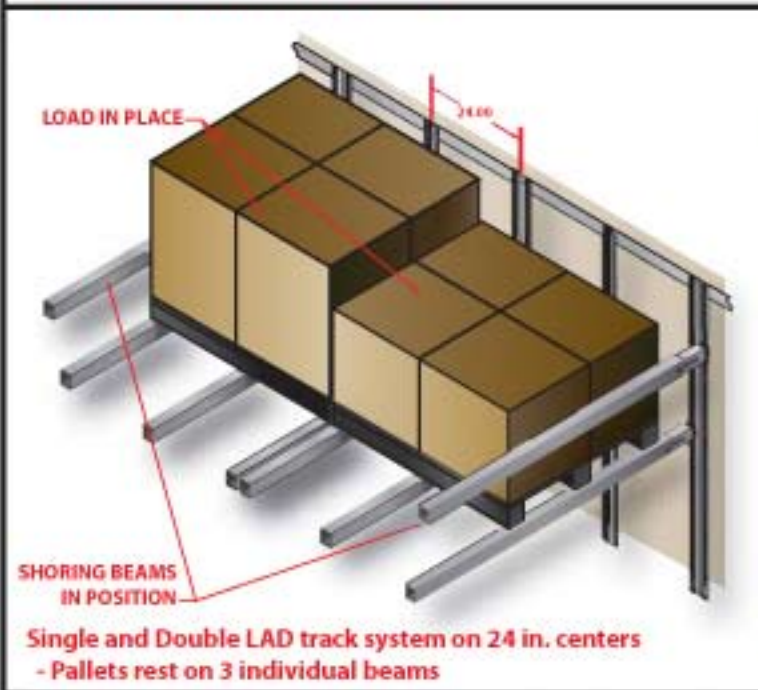
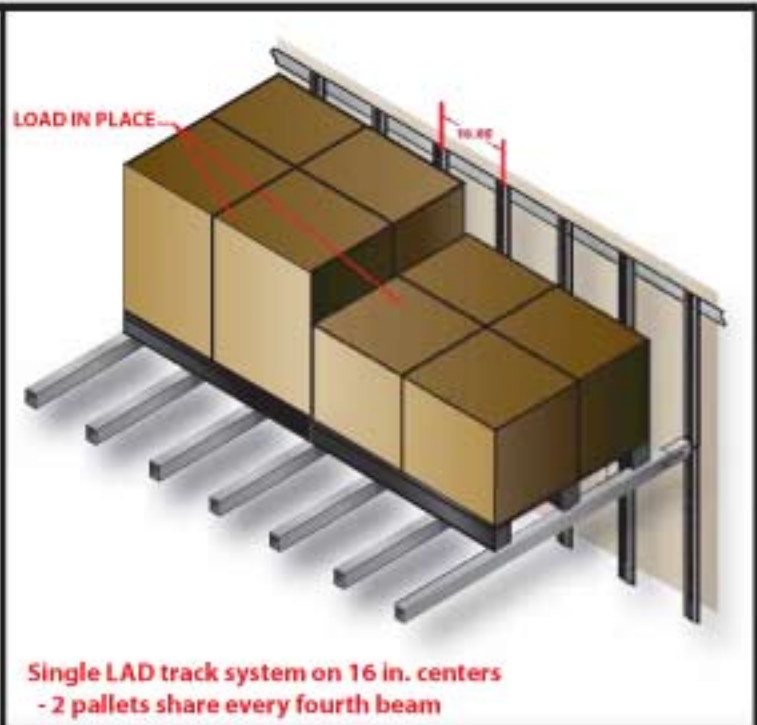
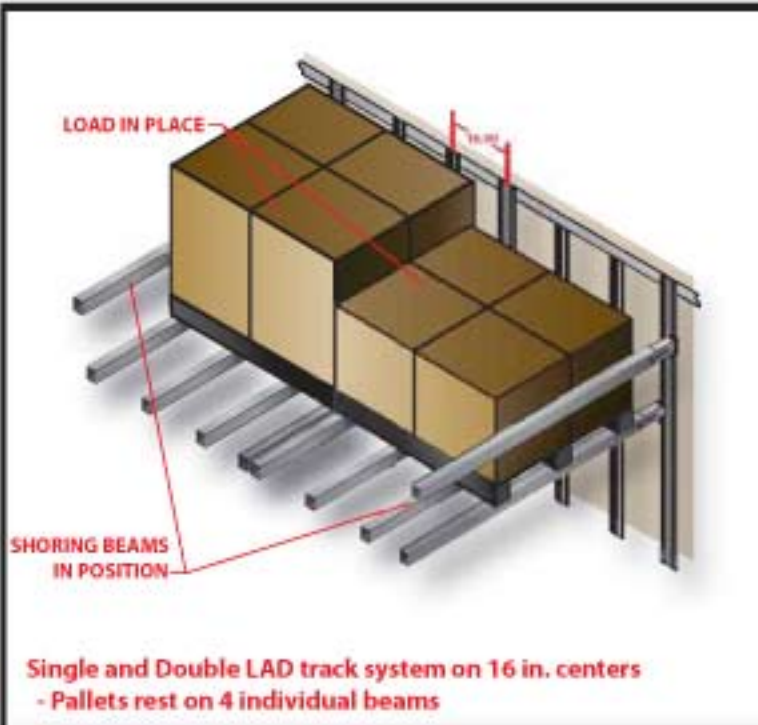


✓ **Use Beam to Secure Pallets**

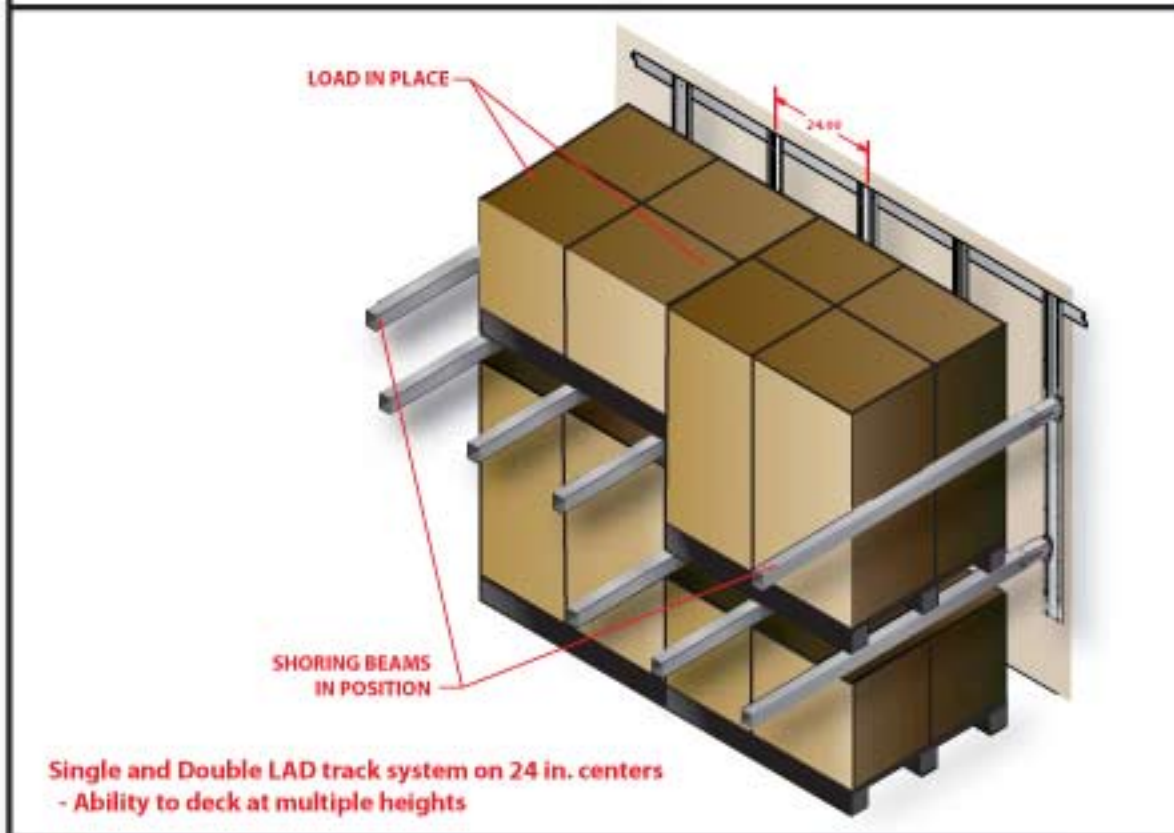
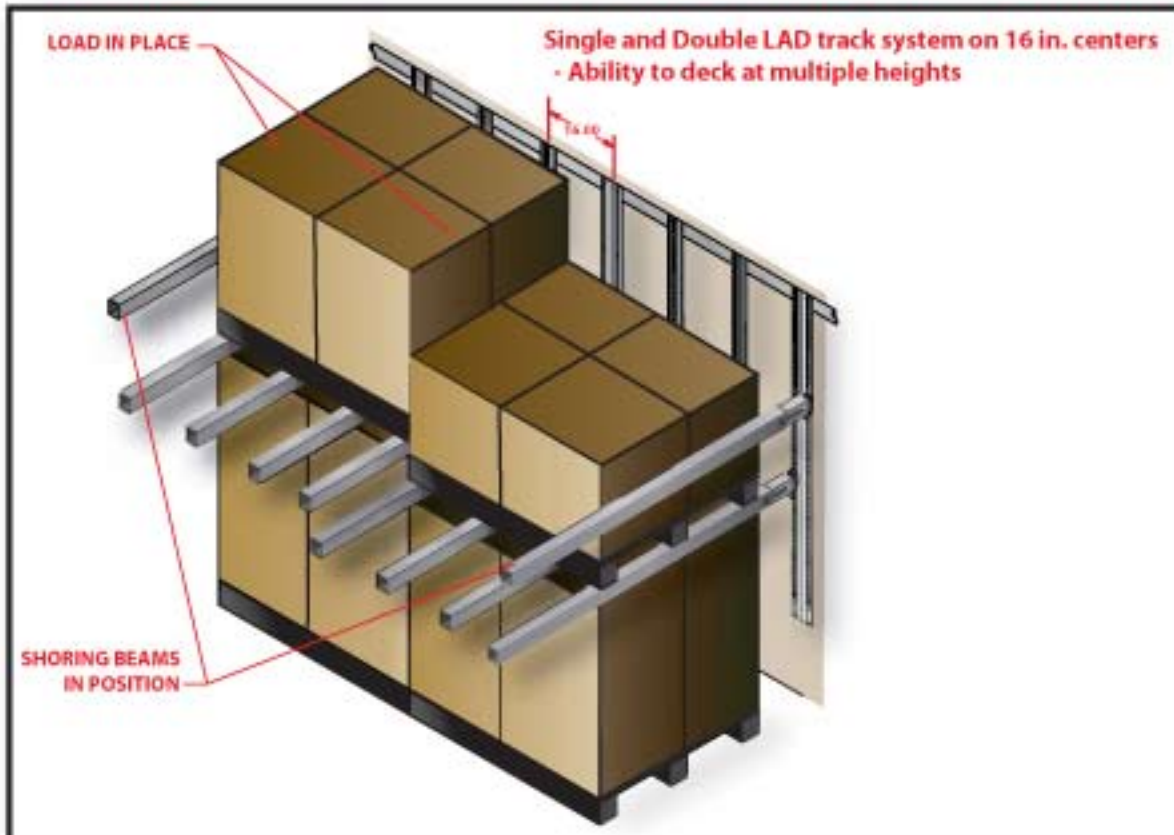


✓ **Plywood adds Extra Versatility for Second Deck**





Contact Customer Service to speak to a Deck System Specialist at Ancra International to assist in determining the Lift-A-Deck II Configuration that best meets your needs.
800-929-2627



An improved solution for decking loads in trailers and truck bodies. The Lift-A-Deck II is a cost efficient way to lift your profits to new heights.

The Lift-A-Deck II from Ancra International uses narrow aluminum, low-profile "aircraft" style cargo track to create a second deck height for palletized freight. This high-strength design is easy to configure and delivers exceptional performance and cost-savings.

Convenient Storage

When not in use, beams are easily pushed to the roof for secure storage. No more lost beams.

Easy Operation

Beams are easily moved by one operator.

Wide Range of Accessories

Lift-A-Deck II track can be used for securing loads with cargo straps, tie-offs, and decking/shoring beams.

ACCESSORIES

- Decking Beam
- Beam Stop
- Single Stud Tie-Off
- Beam Release Bar
- Bracket to Hold Beam Release Bar
- Storage Bag for Logistic Straps



Fits Most Trailers

Available for 96- or 102-inch trailer widths. And height can be specified. Track also can be made as an integral part of sidewall structure.

Versatile

Beams can be adjusted in one-inch increments to accommodate various loads within a trailer. Only Ancra offers this much adjustability.

Snag Resistant

Low profile track design with sloping shoulders helps protect against forklift damage and allows for surface mounting. Standard track length is 72-inches, custom lengths available.

Low Profile Trigger Assembly

Large surface area of foot assembly on the system track enables the beam to take abuse from Forklifts without binding in the track.

Only Ancra gives you so many decking options.

- Standard beams have a decking working load limit of 2,200 lbs. Due to dynamic forces during transit Ancra recommends loads on standard beams should not exceed 550 lbs.
- Heavy-duty beams have a decking working load limit of 3,000 lbs. Due to dynamic forces during transit Ancra recommends loads on heavy-duty beams should not exceed 750 lbs. (ex. A deck built with 4 beams would have a rated capacity of 3000 lbs.)
- Beams can be positioned in one-inch increments for most efficient utilization of space.
- Beams easily moved by just one operator.
- Internal locking mechanism to help protect against forklift damage.

Heavy Duty Beam w/ Low Profile Foot and Channel Assembly

Decking WLL: 3,000 lbs./1,360 kg. * Shoring WLL: 2,500 lbs./1,135 kg. * Weight: 19.75 lbs.
 (Note: Consult trailer or truck body/chassis manufacturer for recommended load capacity of second deck.)



49414-15

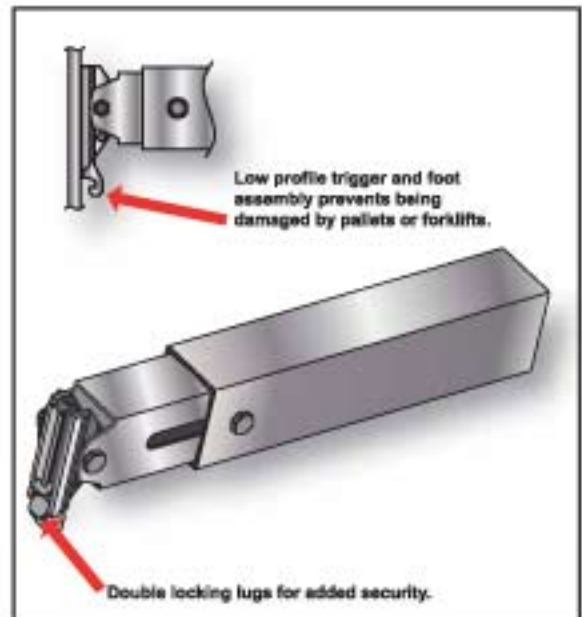
Standard duty beams
 Adjustment range: 93.50 to 103.75 inches (237.49 to 263.53 cm)
 Decking & Shoring WLL: 2,200 lbs./999 kg.
 Weight: 18.15 lbs.

49414-19

Heavy duty beams
 Adjustment range: 94.50 to 104.70 inches (240 cm to 265.9 cm)
 Decking WLL: 3,000 lbs./1,360 kg.
 Shoring WLL: 2,500 lbs./1,135 kg.
 Weight: 19.75 lbs.

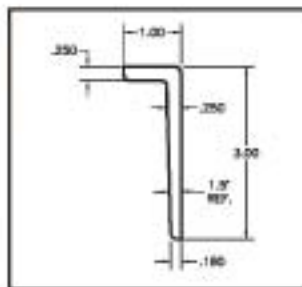


Lower Profile Foot Assembly with Widely Distributed Anchor Point -
 Prevents LAD beams from jamming in the track when hit by a forklift.



Lift-A-Deck II Door Guard

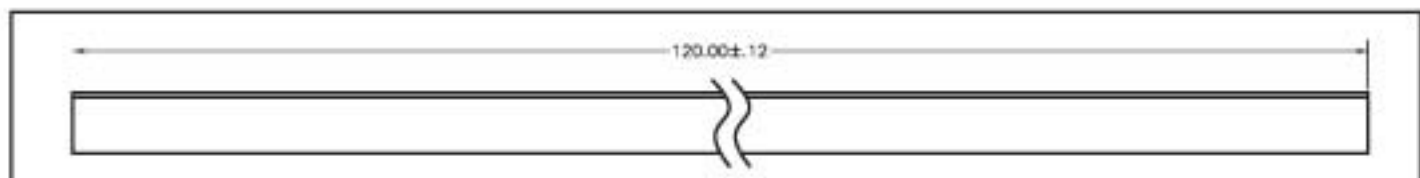
Protection for your trailer door and the Lift-A-Deck II system.



Side View of Door Guard

50030-12

Roll-Up Door Guard



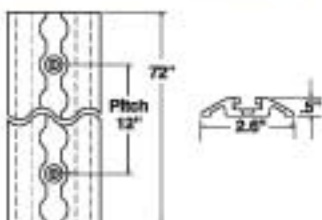
Door Guard

Lift-A-Deck II Track Features

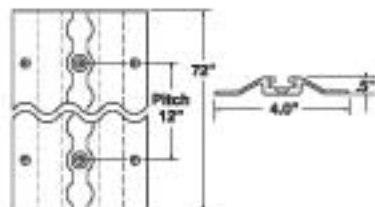
- Widest choice of track types to meet every application
- System track precision machined, no lubrication required
- Standard track length is 72 inches (61 inch loadable). Custom lengths and an installation manual are available upon request
- Installation instructions available at www.ancra.com



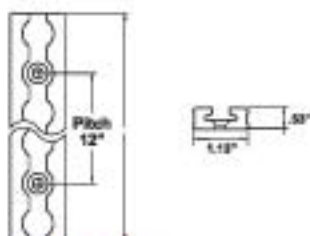
- Beam access slot is provided as standard for all tracks for easy beam removal and replacement
- Allows operator to insert the Lift-A-Deck II Beam when the track is flush with the trailer wall scuff



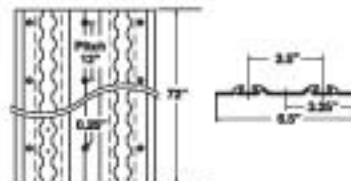
49363-10-72.00
Low Profile Single Row S-Track
72-inch. / Weight - 3.30 lbs.



49363-14
Low Profile Single Row Flanged
S-Track. 72-inch. / Weight - 4.20 lbs.



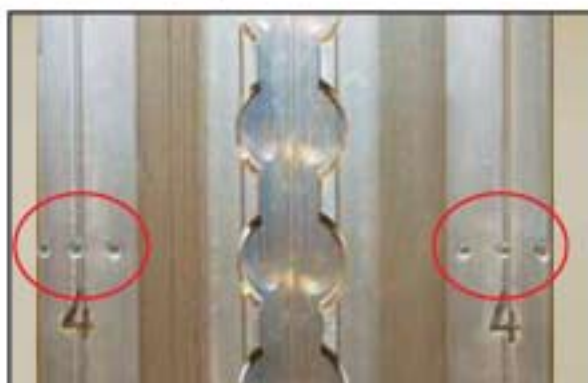
49562-13-72.00
Standard Single Row S-Track.
72-inch. / Weight - 2.70 lbs.



49363-15
Double Row Flanged S-Track.
72-inch. / Weight - 6.78 lbs.



Double Track Reference Holes for Leveling (Option at additional cost)



Single Track Reference Holes for Leveling (Option at additional cost)

Lift-A-Deck II Logistic Straps



6,000 lb. Polyester Webbing (47200) with Cam Buckle (40880-19) and (40506-10) Single Stud Tie-Off

6,000 lb. Polyester Webbing (47200) with Ratchet Buckle (44258-13) and (47556-11) Double Stud Fitting

Working Load Limit: 1000 lbs./454 kg.

Part No.	Length	Weight
40602-100	12 ft.	1.62 lbs.
40602-101	16 ft.	1.80 lbs.
40602-102	20 ft.	2.03 lbs.

Working Load Limit: 1,500 lbs./680 kg.

Part No.	Length	Weight
48672-16	12 ft.	2.23 lbs.
48672-17	16 ft.	2.40 lbs.
48672-18	20 ft.	2.64 lbs.

Beam Accessories and Components



49384-12
Beam Stop
Weight - 0.04 lbs.



50042-10
Storage Bag for Logistic Straps



49445-11
Beam Adjustment Tool,
New, longer handle w/
machined head to grab
foot assembly trigger.
Able to lower beams
over freight easier.
11" longer.
Weight - 2.38 lbs.



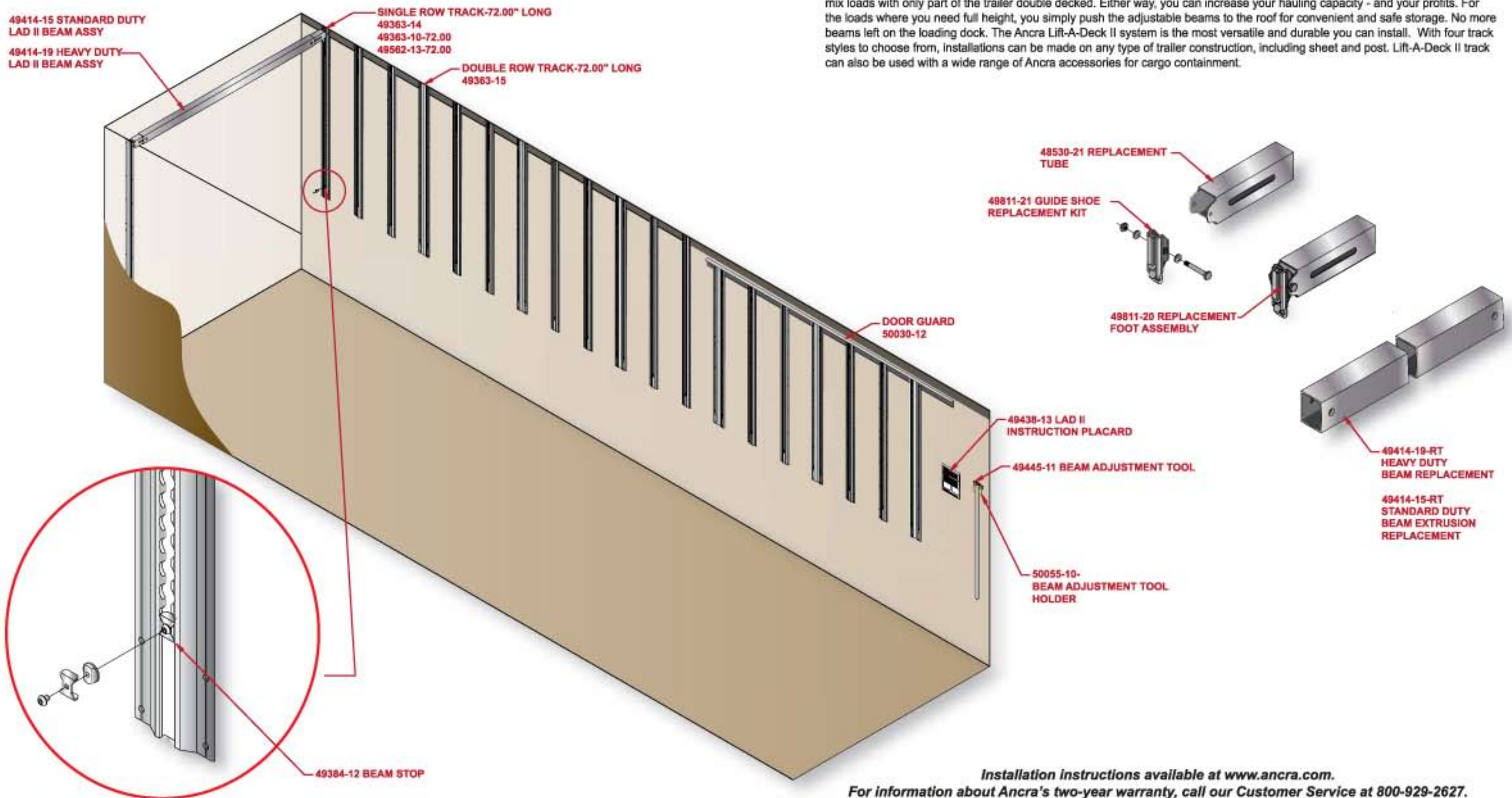
40506-10
Single Stud Tie-Off with Finger Tabs



50055-10
Beam Adjustment Tool Holder

The most popular patented solution for decking loads in trailer and truck bodies.

With Ancra's patented adjustable second deck in your trailer, you can carry double the amount of palletized freight. Or you can mix loads with only part of the trailer double decked. Either way, you can increase your hauling capacity - and your profits. For the loads where you need full height, you simply push the adjustable beams to the roof for convenient and safe storage. No more beams left on the loading dock. The Ancra Lift-A-Deck II system is the most versatile and durable you can install. With four track styles to choose from, installations can be made on any type of trailer construction, including sheet and post. Lift-A-Deck II track can also be used with a wide range of Ancra accessories for cargo containment.



Installation instructions available at www.ancra.com.
For information about Ancra's two-year warranty, call our Customer Service at 800-929-2627.

The Ancra Advantage

ANCRA WILL ASSIST IN COLLECTING AND ANALYZING DATA TO HELP DETERMINE WHAT DECK SYSTEM WILL PROVIDE THE FLEET OPERATOR THE OPTIMUM RESULTS

1. Deck System Specialists

- Ancra provides experienced personnel that specialize in deck systems and collection of data

2. Proven "3 Steps to Increased profits" program

- **Evaluate** to determine the Lift-A-Deck II deck system that best meets your fleets application
- **Testing** Ancra will assist in the collection and analysis of data to determine the value your fleet can realize from an Ancra deck system
- **Training** Ancra will assist in training your personnel to operate and load freight safely and securely using an Ancra deck system to maximize loading efficiencies

3. Proven durability, the Lift A Deck II is a proven deck system that stands up to the abuse found in today's rugged transportation environment

- Deck system most often specified by the major fleets

4. Proven to operate year after year with low maintenance costs

- No track lubrication required
- System track and foot assemblies are precision machined resulting in smooth sliding beams
- Lift A Deck beams continue to slide smoothly in the track year after year

5. Continuous Improvement Program to further develop the Lift A Deck II product line

**Over 45,000 systems in use
No deck system is demanded more**

For further information on how the Lift-A-Deck II deck system can raise your load average and your profits, contact Customer Service to speak to a deck system specialist at 800-929-2627.

STANDARD-DUTY SERIES E AND A DECKING/SHORING BEAM WITH PATENTED FLAT LATCH

Decking and Shoring WLL: 2,200 lbs./999 kg.*



43638-50
Adjustable Range/Weight:
85.7 - 96.6 in./16.0 lbs./7.27 kg.

43638-51
Adjustable Range/Weight:
92.0 - 102.9 in./18.8.0 lbs./8.55 kg.

HEAVY-DUTY SERIES E AND A BEAM ASSEMBLY WITH PATENTED FLAT LATCH

Decking WLL: 3,000 lbs./1,363 kg.* Shoring WLL: 2,500 lbs./1,136 kg.*



49039-50
Adjustable Range/Weight:
83.7 - 94.7 in./20.50 lbs./
9.32 kg.

49039-51
Adjustable Range/Weight:
91.9 - 102.9 in./22.5 lbs./
10.23 kg.

49039-52
Adjustable Range/Weight:
94.8 - 105.8 in./24.5 lbs./
11.03 kg.

This deck system lets you configure your trailer to carry many types of cargo from barrels to boxes. This deck system stores compactly at the side wall, always ready to work. When needed, it simply folds down. An operator can configure a trailer in just minutes. When not needed, the system simply folds back, out of the way. This versatile decking system pays for itself by maximizing the trailer cube and reduced claims for damaged cargo.



Pallet Deck

More Pallets, More Profits.

- Ancra's Pallet Deck adds another deck to double your freight and your profits, as well as reduce damage claims.
- Strong but lightweight, Pallet Deck is built from zinc flo-coat material in a patented process that heat treats the metal throughout, adding a rust-resistant layer inside and out.
- There's no paint to crack, chip or peel, and the deck securely holds a pallet of 5,000 lbs.



49988-10
2" x 2" square tube with zinc flo-coat finish.
Dimensions: 46" deep x 92" wide x 56" high
Weight: Approximately 300 lbs./ 136 kg.
WLL: 5,000 lbs. (evenly distributed)



*North America's Largest Designer and
Manufacturer of Cargo Deck Systems*



CARGO SYSTEMS DIVISION HEADQUARTERS

Ancra Cincinnati

2685 Circleport Drive

Erlanger, KY 41018

Phone: 1-859-371-7272

Phone Toll Free (U.S. and Canada): 1-800-929-2627

Fax: 1-859-371-4367

Fax Toll Free: 1-800-347-2627

E-mail: cargo-sales@ancra.com

CORPORATE HEADQUARTERS

Ancra International LLC

4880 W. Rosecrans Avenue

Hawthorne, CA 90250

WAREHOUSE / SHIPPING FACILITIES

Corporate Headquarters

Hawthorne, CA 90250

Ancra Cincinnati

Erlanger, KY 41018

Pacific Northwest

Accord Distributors

9822 47th Avenue SW

Lakewood, WA 98499

Southwest

301 VZ County Road 1117

Grand Saline, TX 75140

Ancra Canada

6710 Maritiz Drive, Unit 2

Mississauga, Ontario L5W 0A1

Phone: 1-289-562-0055

Phone Toll Free: 1-866-962-0055

Fax: 1-289-562-0058

Fax Toll Free: 1-866-792-0058

E-mail: cargo-salescanada@ancra.com